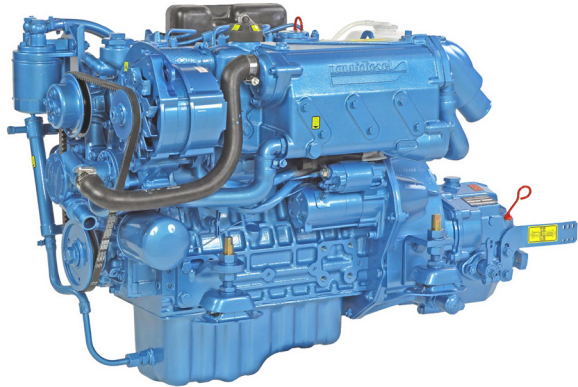


# N4.38

## Specifications



|                      |                               |
|----------------------|-------------------------------|
| Power at crankshaft  | 27.6 kW [37.5 hp]             |
| Displacement         | 1.498 l [91 in <sup>3</sup> ] |
| Configuration        | 4 cylinders in line           |
| Operation type       | 4 stroke Diesel               |
| Bore & Stroke        | 78 x 78.4 mm [3.07 x 3.09 in] |
| Compression ratio    | 23:1                          |
| Rated speed          | 3000 rpm                      |
| Idling speed         | 850 rpm                       |
| Peak torque          | 94.8 Nm                       |
| Peak torque speed    | 2200 rpm                      |
| Dry weight           |                               |
| with TMC60           | 153 kg [337 lbs]              |
| with Sail Drive SP60 | 184 kg [405 lbs]              |

|                     |  |
|---------------------|--|
| Engine base         | Kubota                                       |
| Fuel system         | Mechanical Direct injection                  |
| Air intake          | Natural                                      |
| Cooling             | Closed cooling with heat exchanger           |
| Max mounting angle  | 15° Front up<br>15° Front down               |
| Alternator          | 12 Volts<br>120 Amp                          |
| Rating              | M4   |
| Emission compliance | RCD 2013/53/EU<br>EPA marine Tier 3<br>BSO 2 |

# N4.38

27.6 kW [37.5 hp] at 3000 rpm

## TECHNICAL DESCRIPTION

### Engine block

- 3 Cylinders in line
- Gear-driven valve train
- Water cooled exhaust manifold

### Fuel system

- Mechanical governor
- Cam driven in-line injection pump
- Fuel feed pump with hand primer
- Fuel filter

### Lubrication system

- Replaceable full-flow oil filter
- Oil dipstick
- Oil drain pump

### Cooling system

- Closed cooling with heat exchanger
- Gear driven self-priming raw water pump
- Coolant circulating pump
- Water cooled exhaust elbow

### Electrical system & Instrumentation

- 12 V Electrical system
- 12 V 120 A alternator
- Electric starter motor
- Electric stop function
- Instrumentation panel, including Start/Stop, tachometer & alarms
- Extension cable harness with plug-in connection

### Air intake

- Mounted air cleaner

### Other features

- Flexible engine mounting
- Bracket for control cables

### Optional equipments & accessories

- Keel cooling adaptation
- Complete marine propulsion systems
- Throttle and shift controls
- Additional instrumentation, Flying bridge extension harness
- Polyester frame (Sail Drive version)
- Engine mounting adaptation
- Two pole electrical system
- Water boiler systems
- Stuffing box connections
- Complete fuel systems
- Complete exhaust systems
- SOLAS approved version

## RATING

- Up to 1000 annual operating hours
- Load factor up to 40%
- Full power for no more than 1 hour out of each 12 hours of operation. The remaining operation time must be at or below cruising speed

## TRANSMISSIONS

### Shaft line

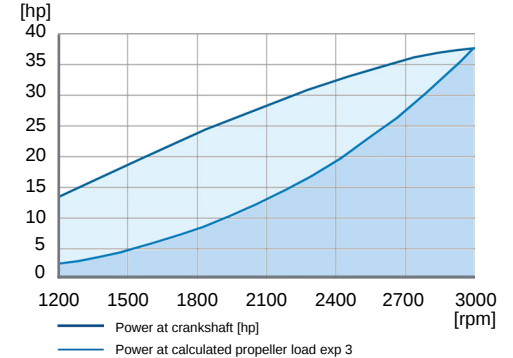
- TMC40
- TTMC35A
- TTMC35P
- ZF10M

### Sail Drive

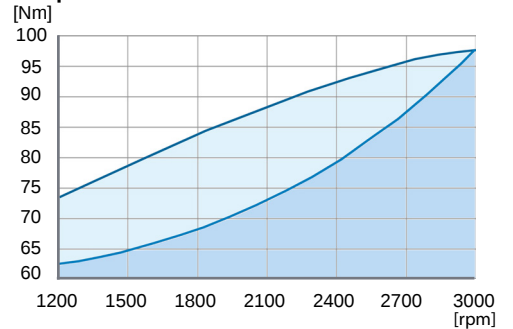
- Sail Drive SP60
- Contact your local Nanni dealer for more details and availability for transmission model and type.

## PERFORMANCES CURVES

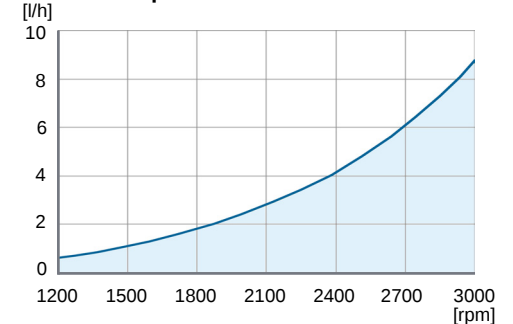
### Power at crankshaft



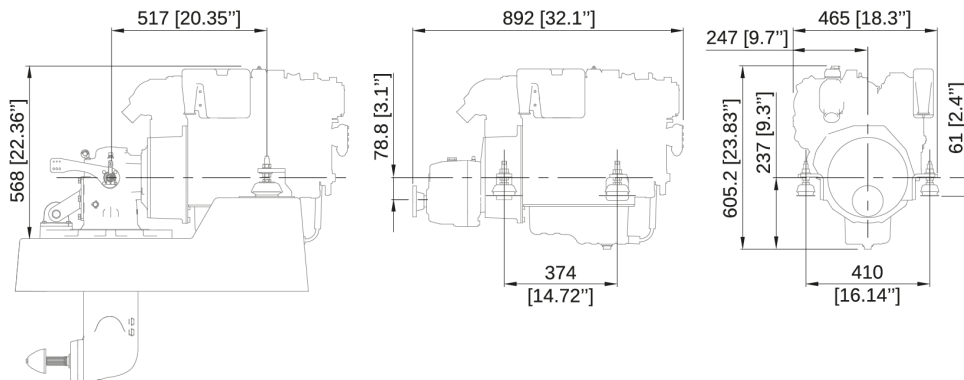
### Torque at crankshaft



### Fuel consumption



## DIMENSIONS WITH SP60 / TMC60



### Nanni Industries S.A.S. France

11, Avenue Mariotte - Zone Industrielle  
33260 La Teste - France  
Tel: +33 (0)5 56 22 30 60  
Fax: +33 (0)5 56 22 30 79

### Nanni Trading S.R.L

Via Degli Olmetti, 5/B  
00060 Formello (RM) - Italia  
Tel: +39 06 30 88 42 51/52/53  
Fax: +39 06 30 88 42 54

Technical data according to ISO 8665. Specifications are subject to change without notice. Images and illustrations may show non standards equipments. All combinations of equipment & accessory are not available.

20172004A ENG