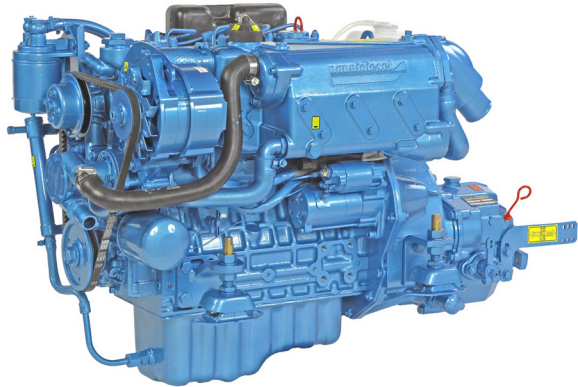


# N4.38

## Specifications



Power at crankshaft	27.6 kW [37.5 hp]
Displacement	1.498 l [91 in <sup>3</sup> ]
Configuration	4 cylinders in line
Operation type	4 stroke Diesel
Bore & Stroke	78 x 78.4 mm [3.07 x 3.09 in]
Compression ratio	23:1
Rated speed	3000 rpm
Idling speed	850 rpm
Peak torque	94.8 Nm
Peak torque speed	2200 rpm
Dry weight	
with TMC60	153 kg [337 lbs]
with Sail Drive SP60	184 kg [405 lbs]

Engine base	Kubota
Fuel system	Mechanical Direct injection
Air intake	Natural
Cooling	Closed cooling with heat exchanger
Max mounting angle	15° Front up 15° Front down
Alternator	12 Volts 120 Amp
Rating	M4
Emission compliance	RCD 2013/53/EU EPA marine Tier 3 BSO 2

# N4.38

27.6 kW [37.5 hp] at 3000 rpm

## TECHNICAL DESCRIPTION

### Engine block

- 4 Cylinders in line
- Gear-driven valve train
- Water cooled exhaust manifold

### Fuel system

- Mechanical governor
- Cam driven in-line injection pump
- Fuel feed pump with hand primer
- Fuel filter

### Lubrication system

- Replaceable full-flow oil filter
- Oil dipstick
- Oil drain pump

### Cooling system

- Closed cooling with heat exchanger
- Gear driven self-priming raw water pump
- Coolant circulating pump
- Water cooled exhaust elbow

### Electrical system & Instrumentation

- 12 V Electrical system
- 12 V 120 A alternator
- Electric starter motor
- Electric stop function
- Instrumentation panel, including Start/Stop, tachometer & alarms
- Extension cable harness with plug-in connection

### Air intake

- Mounted air cleaner

### Other features

- Flexible engine mounting
- Bracket for control cables

### Optional equipments & accessories

- Keel cooling adaptation
- Complete marine propulsion systems
- Throttle and shift controls
- Additional instrumentation, Flying bridge extension harness
- Polyester frame (Sail Drive version)
- Engine mounting adaptation
- Two pole electrical system
- Water boiler systems
- Stuffing box connections
- Complete fuel systems
- Complete exhaust systems
- SOLAS approved version

## RATING

- Up to 3000 annual operating hours
- Load factor up to 40%
- Full power for no more than 1 hour out of each 12 hours of operation. The remaining operation time must be at or below cruising speed

## TRANSMISSIONS

### Shaft line

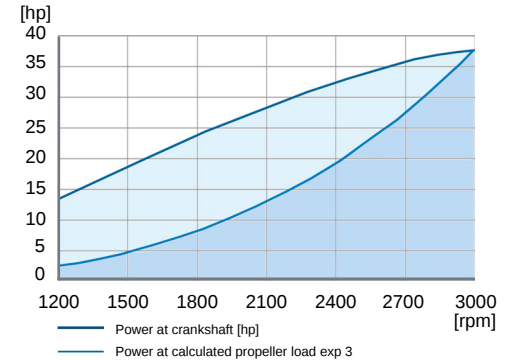
- TMC60
- TTMC35A
- TTMC35P
- ZF12
- ZF12M
- ZF25A

### Sail Drive

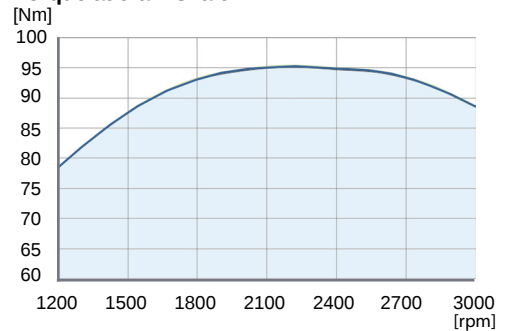
- Sail Drive SP60
- Contact your local Nanni dealer for more details and availability for transmission model and type.

## PERFORMANCES CURVES

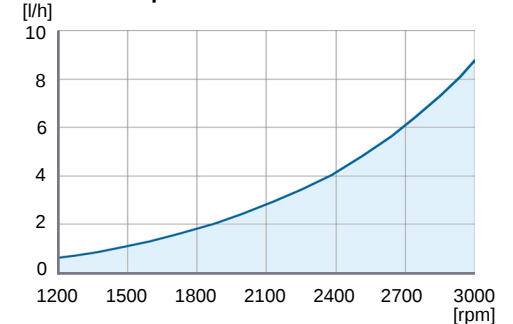
### Power at crankshaft



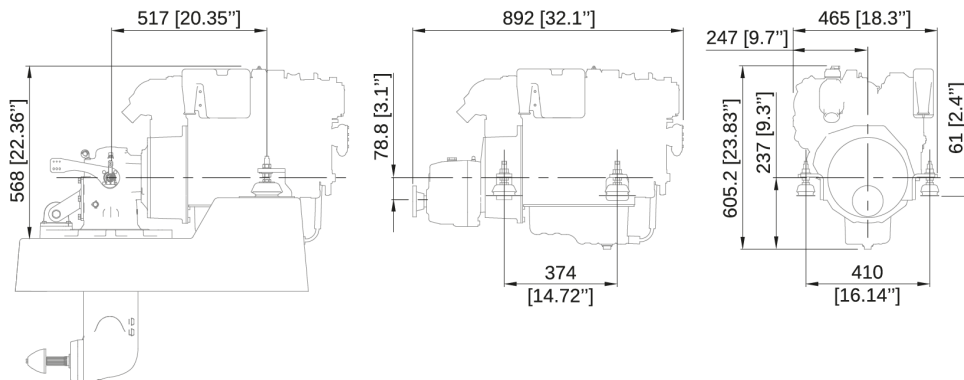
### Torque at crankshaft



### Fuel consumption



## DIMENSIONS WITH SP60 / TMC60



### Nanni Industries S.A.S. France

11, Avenue Mariotte - Zone Industrielle  
33260 La Teste - France  
Tel: +33 (0)5 56 22 30 60  
Fax: +33 (0)5 56 22 30 79

### Nanni Trading S.R.L

Via Degli Olmetti, 5/B  
00060 Formello (RM) - Italia  
Tel: +39 06 30 88 42 51/52/53  
Fax: +39 06 30 88 42 54

Technical data according to ISO 8665. Specifications are subject to change without notice. Images and illustrations may show non standards equipments. All combinations of equipment & accessory are not available.

06-2017-B ENG