

N13.800 CR2

SPECIFICATIONS



| | | | |
|---------------------|-------------------------------|---------------------|---|
| Power at crankshaft | 559 kW [760 cv] | Engine base | John Deere |
| Displacement | 13.6 l [830 in ³] | Fuel system | Electronically controlled unit injectors |
| Configuration | 6 cylinders in line | Air intake | Turbocharged Air-to-seawater aftercooler |
| Operation type | 4 strokes Diesel | Cooling | Closed cooling with heat exchanger |
| Bore & Stroke | 132 x 165 mm [5.2 x 6.25 in] | Max mounting angle | 0° Front down 12° Front up |
| Compression ratio | 16 : 1 | Alternator | 24 Volt 100 Amp |
| Rated speed | 2200 rpm | Rating | M5 |
| Idling speed | 600 rpm | Emission compliance | IMO Marpol Annex VI NRMM (97/68/EC) Tier 3 EPA marine Tier 3 RCD2 2013/53/EU |
| Peak torque | 2913 Nm | Dry weight | 1380 kg [3042 lbs] |
| Peak torque speed | 1700 rpm | | |

N13.800 CR2

559 kW [760 cv] at 2200 rpm

TECHNICAL DESCRIPTION

ENGINE BLOCK

- Replaceable wet-type cylinder liners
- 4 Valves per cylinder
- Watercooled exhaust manifold

FUEL SYSTEM

- Electronically controlled unit injectors
- Primary & secondary fuel filter

LUBRICATION SYSTEM

- Replaceable full-flow oil filter
- Oil dipstick
- Oil cooler

COOLING SYSTEM

- Closed cooling with heat exchanger
- Gear driven self-priming raw water pump
- Coolant circulating pump
- Water cooled exhaust elbow

ELECTRICAL SYSTEM & INSTRUMENTATION

- 24V / 100A alternator
- 24V starter motor
- Complete instrumentation including key switch and alarms
- Extension cable harness with plug-and-play

AIR INTAKE

- Water cooled turbocharger
- Air-to-seawater aftercooler

OTHER FEATURES

- Flywheel SAE 1
- Flexible engine mounting
- Damper pulley

OPTIONAL SYSTEMS & ACCESSORIES

- Keel cooling adaptation
- Dry exhaust elbow
- Complete marine propulsion systems
- Marine transmission adaptation kits
- Throttle and shift controls
- Additional instrumentation, Flying bridge extension harness
- Rigid engine mounting
- Power take off
- Type approval

RATINGS

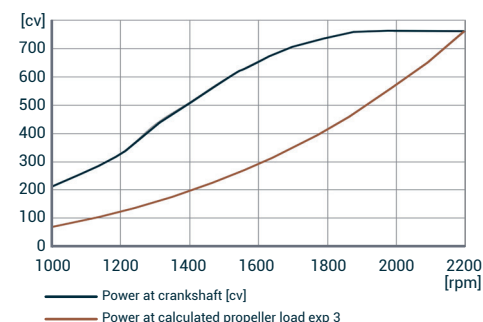
- Up to 1000 annual operating hours
- Load factor up to 35%
- Full power for no more than 30 minutes out of each 8 hours of operation. The remaining operation time must be at or below cruising speed

TRANSMISSIONS

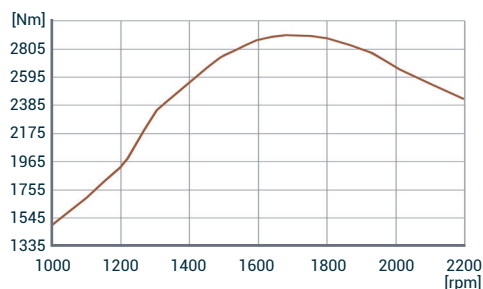
- Contact your Nanni representative for more details and availability about transmissions types and models range.

PERFORMANCE CURVES

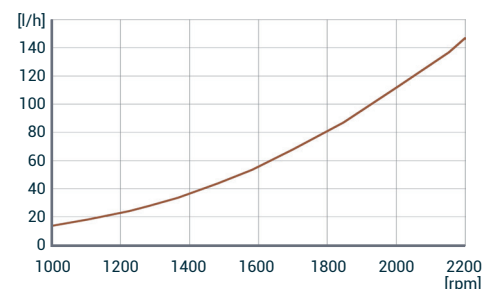
POWER AT CRANKSHAFT



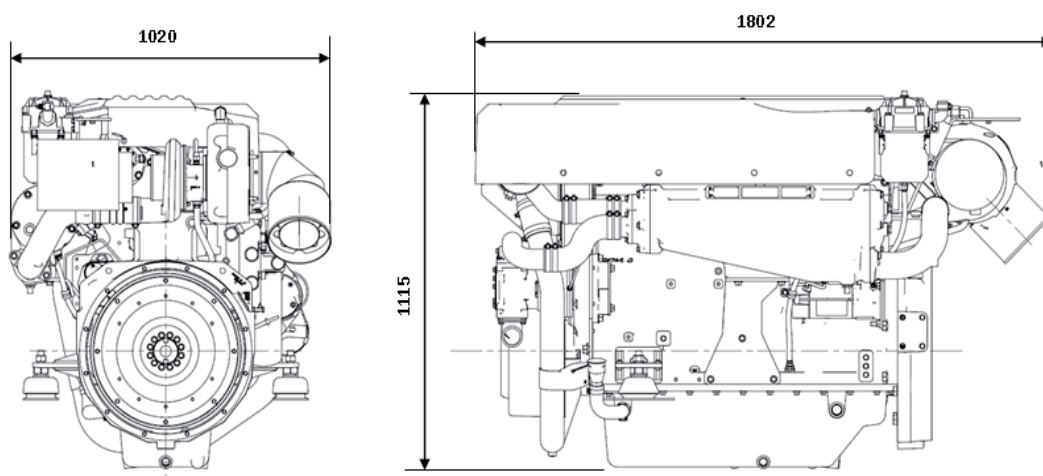
TORQUE AT CRANKSHAFT



FUEL CONSUMPTION



DIMENSIONS



NANNI INDUSTRIES S.A.S.

11, Avenue Mariotte - Zone Industrielle
33260 La Teste - France
Tel: +33 (0)5 56 22 30 60
Fax: +33 (0)5 56 22 30 79

Technical data according to ISO 8665. This document is not contractual. Nanni reserves the right to modify any of the characteristics stated in this document without notice, in a constant effort to improve the quality of its products. Images and illustrations may show non standard equipments. All combination of equipment & accessory are not available.

DGBXXC01047