

# N9.510 CR2

## Specifications



Power at crankshaft	373 kW [507 hp]	Engine base	John Deere
Displacement	9 l [549 in <sup>3</sup> ]	Fuel system	Direct injection High pressure Common Rail electronically controlled
Configuration	6 cylinders in line	Air intake	Turbocharged Air-to-seawater aftercooler
Operation type	4 stroke Diesel	Cooling	Closed cooling with heat exchanger
Bore & Stroke	118.4 x 136 mm [4.66 x 5.35 in]	Max mounting angle	0° Front down 12° Front up
Compression ratio	16.3:1	Alternator	24 Volt 100 Amp
Rated speed	2400 rpm	Rating	M4
Idling speed	650 rpm	Emission compliance	MO Annex VI compliant EPA marine Tier 3 NRMM 97/68/EC RCD2 2013/53/EU
Peak torque	1874.7 Nm		
Peak torque speed	1900 rpm		
Dry weight	948 kg [2089 lbs]		

# N9.510 CR2

373 kW [507 hp] at 2400 rpm

## TECHNICAL DESCRIPTION

### Engine block

- Replaceable wet-type cylinder liners
- 4 Valves per cylinder
- Watercooled exhaust manifold

### Fuel system

- Primary & secondary fuel filter
- Fuel heater
- Common Rail fuel injection system

### Lubrication system

- Replaceable full-flow oil filter
- Oil dipstick
- Oil cooler

### Cooling system

- Closed cooling with heat exchanger
- Gear driven self-priming raw water pump
- Coolant circulating pump
- Water cooled exhaust elbow

### Electrical system & Instrumentation

- 24 V / 100 A alternator
- 24 V starter motor
- Complete instrumentation including key switch and alarms
- Extension cable harness with plug-in connection

### Air intake

- Water cooled turbocharger
- Air-to-seawater aftercooler

### Other features

- Flywheel SAE 2
- Flexible engine mounting
- Damper pulley

### Optional systems & accessories

- Keel cooling adaptation
- Dry exhaust elbow
- Complete marine propulsion systems
- Marine transmission adaptation kits
- Throttle and shift controls
- Additional instrumentation, Flying bridge extension harness
- Rigid engine mounting
- Power take off
- Type approval

## RATINGS

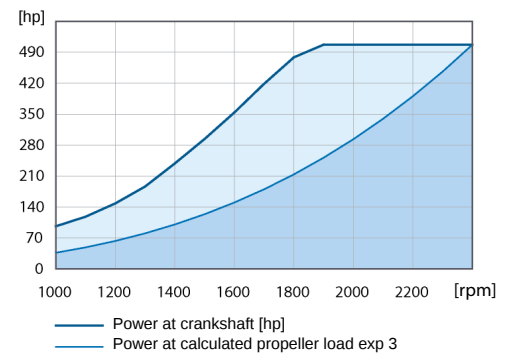
- Up to 3000 annual operating hours
- Load factor up to 40%
- Full power for no more than 1 hour out of each 12 hours of operation. The remaining operation time must be at or below cruising speed.

## TRANSMISSIONS

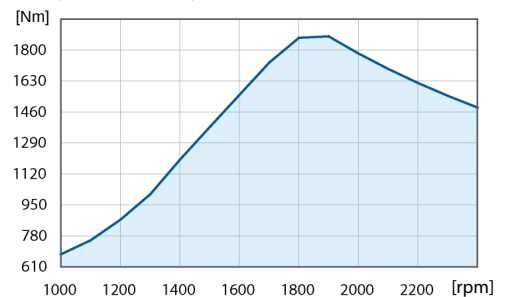
- Contact your Nanni representative for more details and availability about transmissions types and models range

## PERFORMANCE CURVES

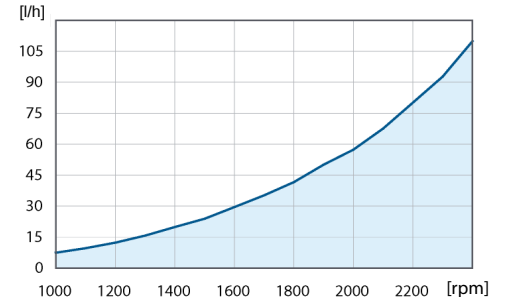
### Power at crankshaft



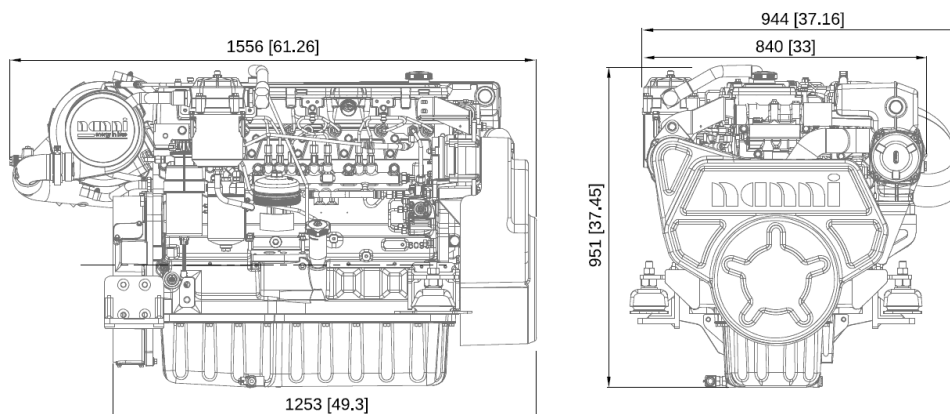
### Torque at crankshaft



### Fuel consumption



## DIMENSIONS BOBTAIL



### Nanni Industries S.A.S. France

11, Avenue Mariotte - Zone Industrielle  
33260 La Teste - France  
Tel: +33 (0)5 56 22 30 60  
Fax: +33 (0)5 56 22 30 79

### Nanni Trading S.R.L

Via Degli Olmetti, 5/B  
00060 Formello (RM) - Italia  
Tel: +39 06 30 88 42 51/52/53  
Fax: +39 06 30 88 42 54

Technical data according to ISO 8665. Specifications are subject to change without notice. Images and illustrations may show non standard equipments. All combination of equipment & accessory are not available.

07-2017-ENG